



MADE IN ITALY

## GAMMA $\gamma$ +

Sliding door for positive temperature applications

Sliding door for normal working temperature mm 68  
Door to fit on coldrooms with working temperature up to 0°C. It is composed of a monolithic buffer-type sliding doorwing, insulated with injected polyurethan foam, and steel frame.

The doorwing has on the inside and outside a practical and hardy stainless steel handle, it can have key-lock on the sliding door side. The sliding doorwing has a rubber gasket on its perimeter and on the lower floor side, it has different devices for the blocking and facilitates the opening and closing by reducing the traction and thrust power to the minimum.

The doorwing cladding can be either with stainless steel, non toxic painted or pvc coated steel sheet or glassfiber.

COLDTECH

Via Rivera 136/2 – 10040 Almese (TO)  
Tel. 0119370518 – Fax 0119319297  
[coldtech@coldtech.it](mailto:coldtech@coldtech.it) - [www.coldtech.it](http://www.coldtech.it)

# GAMMA $\gamma$ +

Sliding door for positive temperature applications

## Details



External key-lock



Internal lock



Internal handle  
External handle



## Options



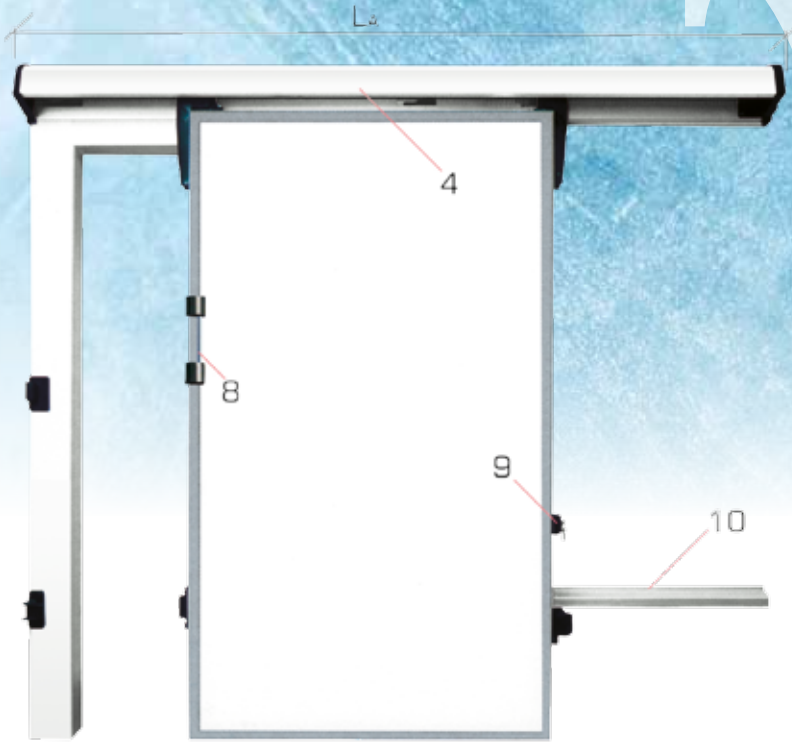
Standard port hole  
400x700 double thermal  
glass 4 - 12 - 4



Detail wheel blocking  
system (closed door)

Increased thickness to 95 mm up to 1500x2500 (TN 95)

Partial front protection in stainless steel or goffred aluminium (sp.2 mm)



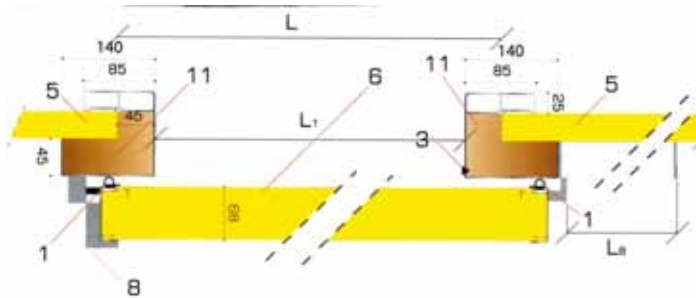
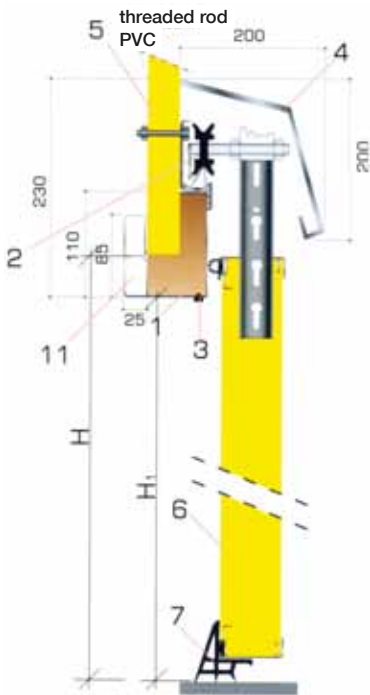
## Features

$$L = L_1 + 100 \text{ mm}$$

$$H = H_1 + 50 \text{ mm}$$

$$L_A = L_{1 \times 2} + 480$$

$$L_B = L_1 + 200$$



## Legend

1	Gasket on perimeter in epdm rubber
2	Pulley
3	Thermal interruption
4	Steel sheet cover of sliding system
5	Wall panel in expanded polyurethan
6	Door panel in expanded polyurethan
7	Gasket on floor in epdm rubber
8	Handle for opening
9	Lock
10	Rear rail
11	Supporting frame of pvc, painted st. sheet or s/s