



MADE IN ITALY

## GAMMA $\gamma$ +

Sliding door for positive temperature applications

### Sliding door for normal working temperature mm 68

Door to fit on coldrooms with working temperature up to 0°C. It is composed of a monolithic buffer-type sliding doorwing, insulated with injected polyurethan foam, and steel frame.

The doorwing has on the inside and outside a practical and hardy stainless steel handle, it can have key-lock on the sliding door side. The sliding doorwing has a rubber gasket on its perimeter and on the lower floor side, it has different devices for the blocking and facilitates the opening and closing by reducing the traction and thrust power to the minimum.

The doorwing cladding can be either with stainless steel, non toxic painted or pvc coated steel sheet or glassfiber.

COLDTECH

# GAMMA $\gamma$ +

Sliding door for positive temperature applications

## DETAILS



External key-lock



Internal lock



Internal handle  
External handle



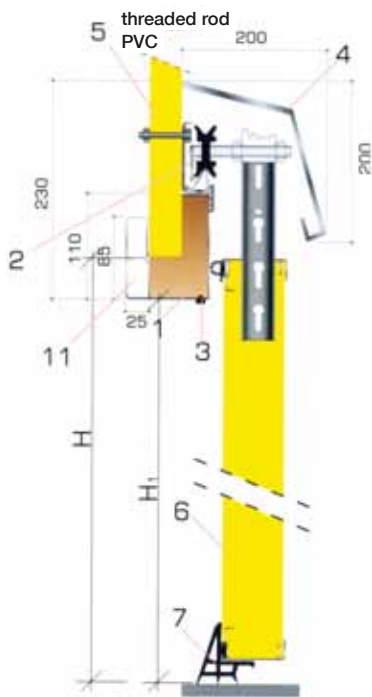
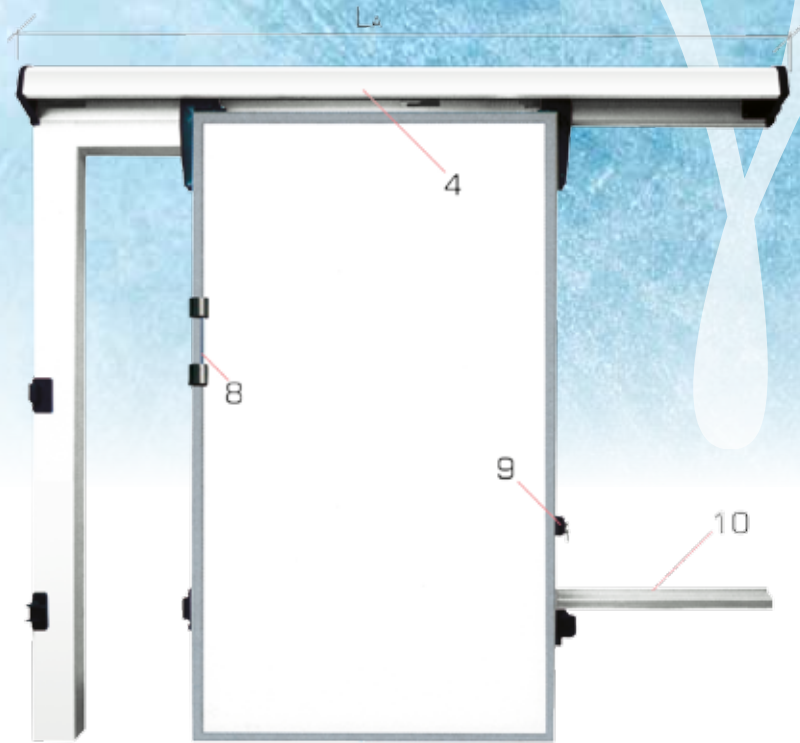
## OPTIONS



Standard port hole  
400x700 double thermal  
glass 4 - 12 - 4



Detail wheel blocking  
system (closed door)



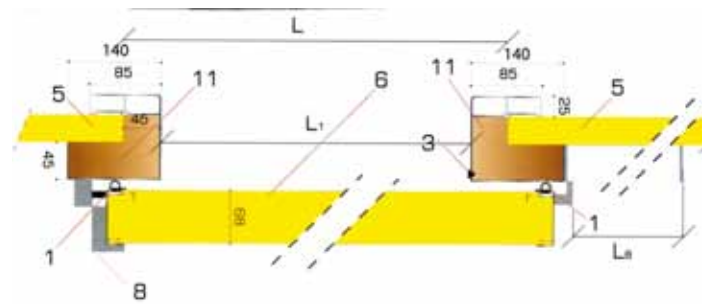
## FEATURES

$$L = L_1 + 100 \text{ mm}$$

$$H = H_1 + 50 \text{ mm}$$

$$L_A = L_{1 \times 2} + 480$$

$$L_B = L_1 + 200$$



## LEGEND

1	Gasket on perimeter in epdm rubber
2	Pulley
3	Thermal interruption
4	Steel sheet cover of sliding system
5	Wall panel in expanded polyurethan
6	Door panel in expanded polyurethan
7	Gasket on floor in epdm rubber
8	Handle for opening
9	Lock
10	Rear rail
11	Supporting frame of pvc, painted st. sheet or s/s



## GENERAL

- **Model:** Cold room insulated sliding door
- **Door type:** see door schedule with relevant drawing, the wing with its frame is outside the panel
- **Application:** suitable for chiller, cold rooms up to  $-5^{\circ}$  centigrade
- **Size of the doors:** for blade thickness 68 mm: from 80x180 cm up to 160x200 cm for chiller cold room small size door (up to 100 Kg) for blade 92 mm: from 100x200 cm up to 300x300 cm for chiller cold room big size door (up to 200 kg)
- **Thickness of the blade:** 68/92 mm

## MAIN CHARACTERISTICS

- Frame and counter frame in pvc
- Suitable for all types of cold storages units, simple, functional, efficient for thermal ranges up to  $35^{\circ}\text{C}$ . ( $\pm 30^{\circ}\text{C}$  up to  $-5^{\circ}\text{C}$ )
- Thickness: 68, 92 (blade)
- Colour (STD) white RAL9010 or simile
- Pre-painted of plastified with 25 micron suite for food process purposes
- Insulated with rigid polyurethane foam 100% CFC free
- Density about  $40 \text{ kg/m}^3$  ( $\pm 5 \text{ kg/m}^3$ )
- Lambda value =  $0,0225 \text{ W/mk}$  thermal conductivity
- KVALUE (DIMENSIONS: clear width max. 3000 – clear height max. 3500 – other sizes on request)

Model	Door leaf thickness	K cal / m <sup>2</sup> h °C	W/m <sup>2</sup> k	Max kg / m <sup>2</sup>
<b>SLIDING DOOR</b>				
<b>POSITIVE</b>	68mm	0,277	0,277	13,10
	92mm	0,213	0,213	14,20

## MANUFACTURER

### Coldtech s.r.l.

**Web:** [www.coldtech.it](http://www.coldtech.it)

**Email:** [coldtech@coldtech.it](mailto:coldtech@coldtech.it)

**PH:** +39 011 9370518

## WARRANTIES – MANUFACTURER/SUPPLIER INSTALLER

3 years for friendly utilization

Hardware: 2 years with friendly utilization

## REQUIREMENTS

Installer has to be experienced and to follow installation manual provided with the door

## MATERIAL

### Door leaf:

Monolithic buffer-type door wing of which:

- > **Door blade:**  
Edge Anodized aluminium profile (STD) or in stainless steel profile AISI 304 2B, thickness 0,15 mm
- > **Insulation:**  
PUR Rigid polyurethane foam  
Rigid polyurethane foam CFC free, density about  $40 \text{ kg/m}^3$  ( $\pm 5 \text{ kg/m}^3$ ),  
Lambda value =  $0,0225 \text{ W/mk}$
- > **Covering:**  
**STD** Hot dipped galvanized (Sendzimir) pre-painted PVC (silicone polyester) coated or plastified with 25 micron suite for food processing film thickness 0,6 mm, humidity resistance (100% relative humidity at  $38^{\circ}\text{C}$ .) 1000 h. Anticorrosion class III OR  
**S.STEEL** Stainless steel AISI 304 thickness 0,8 mm, anticorrosion, circular depolishing (flowered). Axial smoothing finish OR  
**FIBER GLASS** any colour RAL, thickness 2,5 mm



# GAMMA $\gamma$ +

Sliding door for positive temperature applications

- > **Gasket:**  
Double execution (lined) neoprene black rubber gasket on three sides and one side on the floor, with double density sold, weight 1.180 g/cm<sup>3</sup>, hardness = Shore A-70, Elongation at break 250% min., tearing resistance 30 KN/m min. operating temperature -35 °C./110°C. At the underside fitted with rubber sweeper gasket.
- > **Hardware:**  
Outside fixed handle with shaft in alu and 2 extremities in nylon polyamide with 30% fiberglass, food safe proof  
Inside deep set handle in nylon polyamide with 30% fiberglass
- > **Optional:**  
porthole in triple glass: round 35 cm with gasket or rectangular 40x60 cm with rounded corners
- > **Key lock:** in nylon polyamide with 30% fiberglass

## Door frame:

- > **Frame:**  
Standard in polyvinyl chloride thickness 3 mm  
Size: 130x47 / 130x65x47 / 140  
OPTION PROTECTION: **1) standard** Hot dipped galvanized (Sendzimir) pre-painted PVC (silicone polyester) coated or plastified with 25 micron suite for food processing film thickness 0,6mm, humidity resistance (100% relative humidity at 38°C.) 1000 h. Anticorrosion class III.  
**1) Stainless steel** Stainless steel AISI 304 thickness 0,8 mm, anticorrosion, circular depolishing (flowered). Axial smoothing finish
- > **Side frame:**  
For modular PVC covered by the same door-leaf covering (pre-painted, plastified or Stainless Steel) size 100/20/40 mm
- > **Counter frame:**  
in PVC, from anodized aluminium or from stainless steel
- > **Threshold**  
S/1 for the room with step  
S/2 floor level with steel angle to fix the jambs  
S/3 floor level  
S/4 heated floor level  
S/5 Special threshold

## Rail:

- > Rail holder and rail in anodized aluminium
- > Rail cover in anodized aluminium
- > Rear guide in anodized aluminium on the panel

## Automation:

- > 24 volt DC motor with encoder and inverter

## EXECUTION

### CONDITIONS:

Delivery, storage and handling: take delivery of material and accessories undercover on flat level surface of floor.

Remove all the package only you start the installation of the doors

Keep dry and avoid to expose the doors, especially those in ss, at the sun

### MANUFACTURER'S REQUIREMENT FOR INSTALLATION

Installation should be done in accordance with best practice health and safety procedures.

Install and commissioning to required operation, in according with Coldtech installation requirement, manual and drawings.



Via Rivera 136/2 – 10040 Almese (TO)

Tel. 0119370518 – Fax 0119319297

coldtech@coldtech.it - www.coldtech.tech